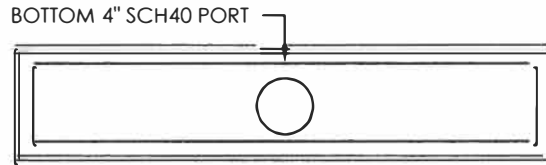
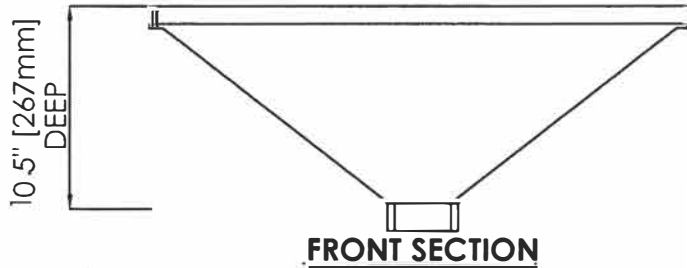


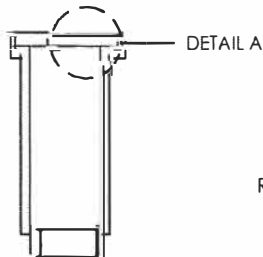
**FACEPLATE**



**PLAN VIEW/BOX**

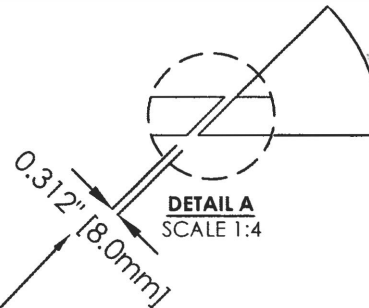


**FRONT SECTION**



**SIDE SECTION**

TWO (2) 18" x 0.312" SLOTS TO PROVIDE RETURN WATER A VELOCITY OF 20 FT/SEC. SLOTS TO BE SET AT A 30° ANGLE IN THE DIRECTION OF WATER PROPULSION.



**DETAIL A**  
SCALE 1:4

**DalFLOW PROPULSION MODULE:**

CORROSION RESISTANT, NON-CONDUCTIVE, NON-MAGNETIC, AND DOES NOT REQUIRE BONDING.

DalFLOW UNIT IS CONSTRUCTED WITH A FIBERGLASS HOUSING AND HDPE FACE PLATE. THE WALL UNIT HAS A 4-IN SCH-40 PVC PORT (THREADED FEMALE ADAPTER OR SLIP COUPLING) FOR PIPE CONNECTION.

THE FACE PLATE CAN BE FULLY CUSTOMIZED FOR APETURE WIDTH, LENGTH, AND ANGLE OF DESIRED FLOW, AND IS OFFERED AS A STANDARD 0.315" X 21" AT 45° TO PRODUCE AN AVERAGE EXIT VELOCITY OF 20 FT/S AT 400 GPM.

TESTED BY IAPMO R&T TO WITHSTAND UP TO 400 GPM WORKING FLOW RATE. DalFLOW IS DESIGNED FOR HORIZONTAL INSTALLATION IN A POOL WALL OR PERPENDICULAR TO FLOW ON A FLOOR.

DalFLOW-PM FLOOR OR WALL		
NUMBER OF UNITS		
DESIGN FLOW MAX, GPM	400	
OUTFLOW VELOCITY	20 FT/SEC	
SCH-40 PVC FITTING	SLIP COUPLING	THREADED ADAPTER
BOX GEL COAT COLOR	WHITE ONLY	
FACE PLATE COLOR	WHITE ONLY	
PLUG	YES	NO
CUSTOM FACE PLATE	YES	NO
*WRITE IN OR CIRCLE APPLICABLE INFORMATION		

All drawing are saved in a \*.dwg format and are provided as a service to our customers; dimensions supplied by Daldorado are for reference only. Daldorado or any authorized distributor of our products will not be held responsible from files which have been converted and does not warranty the documents against deficiencies or typographical errors of any kind. All measurements of the actual product must be verified before any custom fabrication in the field occurs. COPYRIGHT: This document is the property of Daldorado, LLC and is provided on an in-confidence basis, it may not be copied or reproduced without the permission of Daldorado or its authorized agent.

Product: DalFLOW PROPULSION MODULE	
Product #: DalFLOW-PM	
Material: PVC/FG	Rev Date: 07/20/22
Color: WHITE	Rev By: Daldorado

**DALDORADO**

4327 Arnold Ave, Naples, FL 34104  
Phone: 888.509.8128  
www.daldorado.com